



# INTENSILIGHT

**C-HGFI** (manual)

**C-HGFIE** (motorized)

HG Precentered Fiber Illuminator



# Difficult lamp alignment is a thing of the past

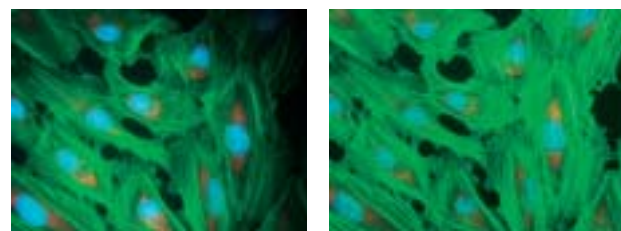
The Intensilight mercury-fiber illuminator employs a precentered, long-life lamp that requires no centering while allowing users to capture high-quality fluorescence images with uniform brightness.



C-HGFI (manual)

## Precentered lamp requires no alignment

The use of a precentered lamp and dedicated optical fibers eliminates the need for cumbersome centering and focusing operations, even after the lamp is replaced. Uniform brightness is always assured.



Off-center

Precentered

## 2000-hour long-life lamp

The lamp lasts an average of 2000 hours, or 10 times longer than conventional mercury lamps. Therefore, replacement costs and microscope downtime are greatly reduced.

## Reduced heat and electrical noise

Dedicated optical fibers (1.5m, 3m) allow the light source to be placed away from the microscope, reducing heat and electrical noise on the microscope body. This is particularly suited to long-time fluorescence observation (time-lapse observation) of live cells.

## Shutter and light intensity control

There are six levels of light intensity to choose from depending on the specimen. The shutter allows light to the specimen to be easily shut off without the power being turned off. Therefore, photobleaching can be reduced to a minimum when observing multi-stained specimens.



Light intensity control (manual)



Shutter (manual)

## Safety measures

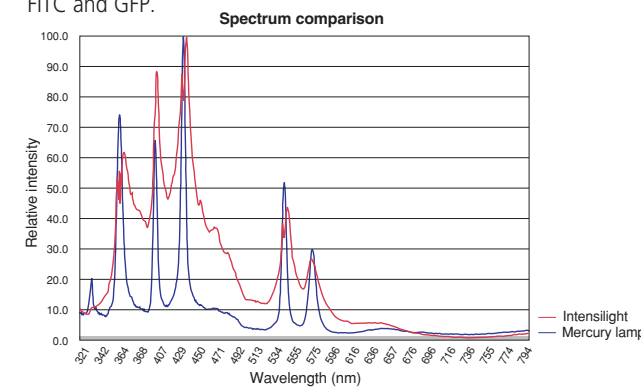
When the lamp replacement cover is open or the optical fibers are not attached, the interlock automatically shuts the light off to protect the user from possible light exposure. Furthermore, when the lamp temperature sensor detects abnormally high temperatures, power is cut to protect the lamp.



C-HGFI (motorized)

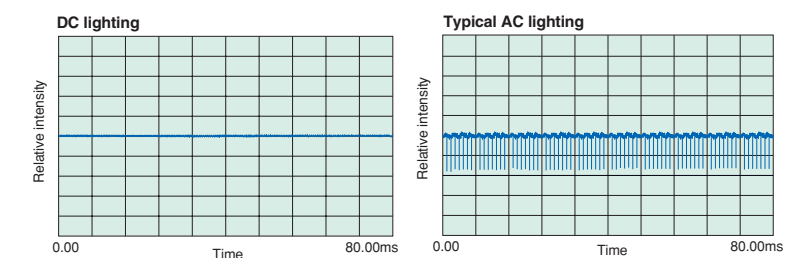
## Greatly increased brightness for green spectrum

At wavelengths of around 450nm to 500nm, brightness is much higher than that of a conventional mercury lamp, making the lamp ideally suited to observation of green fluorescence such as FITC and GFP.



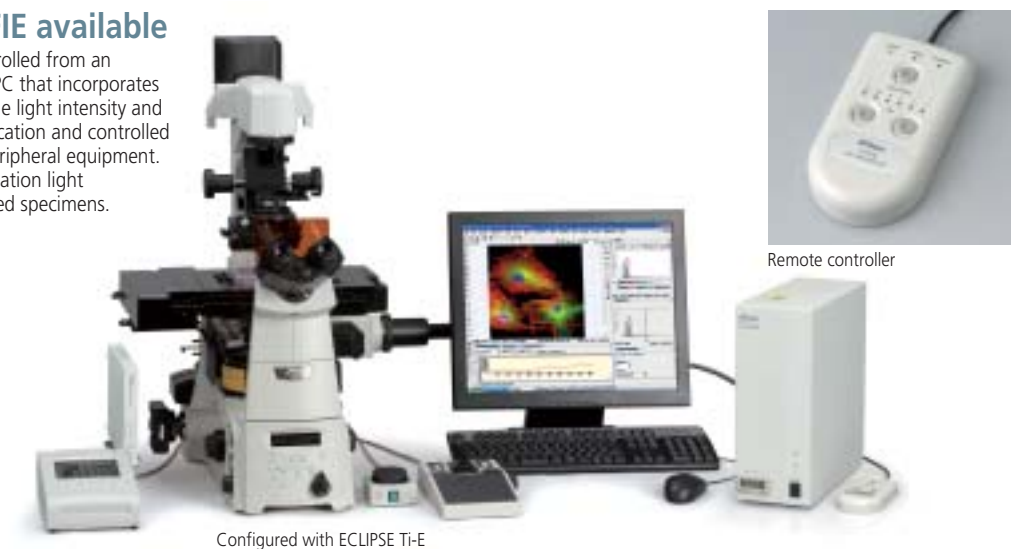
## DC lighting for constant light intensity

As DC (direct current) lighting is less influenced by frequency than AC (alternating current) lighting, DC provides constant, non-fluctuating light.



## Motorized model C-HGFI available

The light intensity and shutter can be controlled from an optional dedicated remote controller or a PC that incorporates Nikon's NIS-Elements imaging software. The light intensity and shutter can be programmed for each application and controlled in conjunction with the microscope and peripheral equipment. This enables automatic control during excitation light changeover and observation of multi-stained specimens.



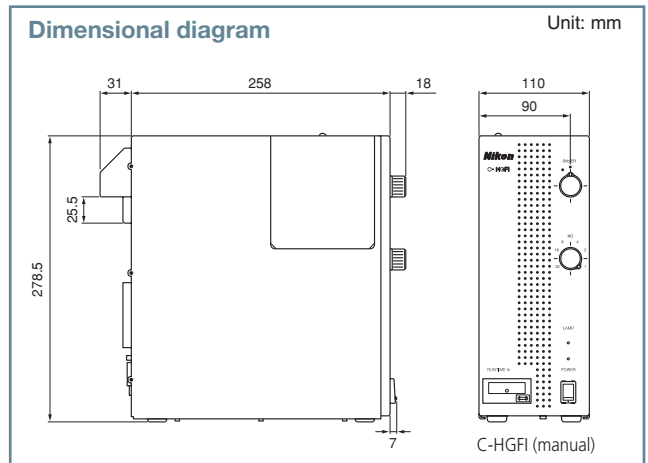
Configured with ECLIPSE Ti-E



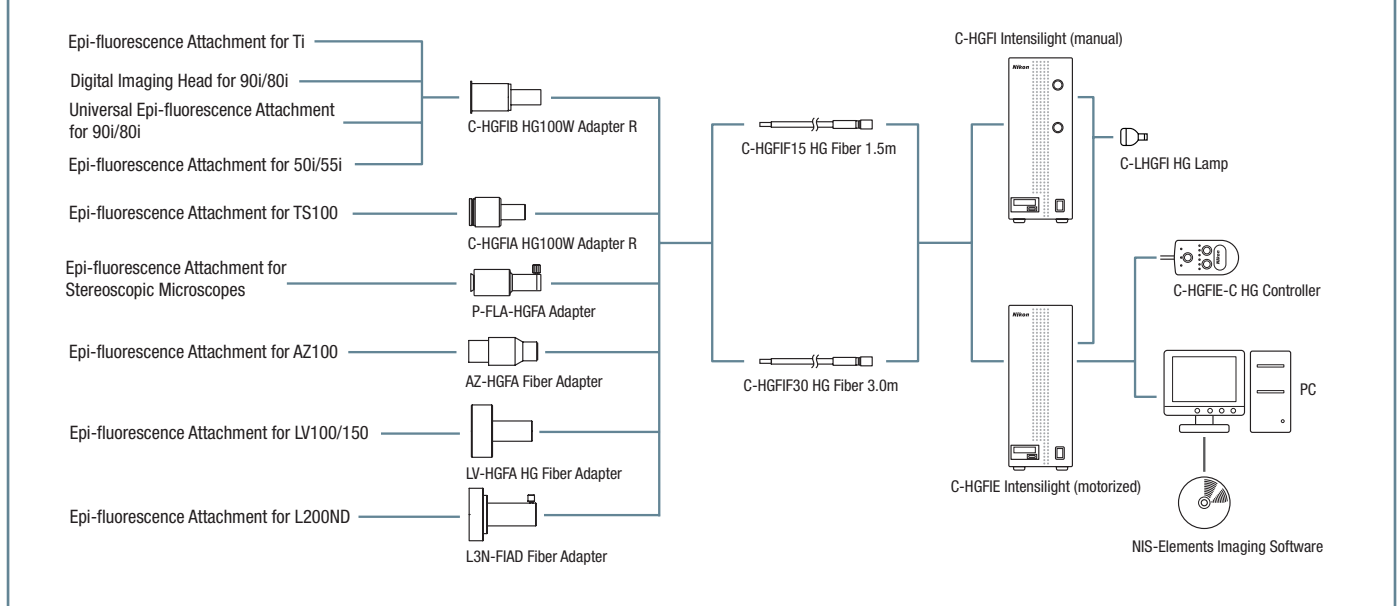
Remote controller

## Specifications

Lamp	Ultrahigh pressure 130W mercury lamp
Lamp life	Average 2000 hours
ND (light intensity)	1 (100%), 2 (50%), 4 (25%), 8 (12%), 16 (6%), 32 (3%)
Shutter response	(Motorized) 100msec
Power supply	100-240VAC 50/60Hz
Dimensions (including protrusions)	(Manual) 110 (W) x 307 (D) x 278.5 (H)mm (Motorized) 110 (W) x 296 (D) x 278.5 (H)mm
Weight	Approx. 6kg
Optical fiber length	1.5m/3.0m



## System diagram



Specifications and equipment are subject to change without any notice or obligation on the part of the manufacturer. June 2009 ©2006-09 NIKON CORPORATION

**WARNING** TO ENSURE CORRECT USAGE, READ THE CORRESPONDING MANUALS CAREFULLY BEFORE USING YOUR EQUIPMENT.

\* Monitor images are simulated.  
 Company names and product names appearing in this brochure are their registered trademarks or trademarks.



**NIKON CORPORATION**  
 6-3, Nishiohi 1-chome, Shinagawa-ku, Tokyo 140-8601, Japan  
 phone: +1-631-547-8500; +1-800-52-NIKON (within the U.S.A. only)  
 fax: +1-631-547-0306  
<http://www.nikon.com/instruments/>

**NIKON INSTRUMENTS INC.**  
 1300 Walt Whitman Road, Melville, N.Y. 11747-3064, U.S.A.  
 phone: +1-631-547-8500; +1-800-52-NIKON (within the U.S.A. only)  
 fax: +1-631-547-0306  
<http://www.nikoninstruments.com/>

**NIKON INSTRUMENTS EUROPE B.V.**  
 Laan van Kronenburg 2, 1183 AS Amstelveen, The Netherlands  
 phone: +31-20-44-96-222 fax: +31-20-44-96-298  
<http://www.nikoninstruments.eu/>

**NIKON INSTRUMENTS (SHANGHAI) CO., LTD.**  
 CHINA phone: +86-21-5836-0050 fax: +86-21-5836-0030  
 (Beijing branch) phone: +86-10-5869-2255 fax: +86-10-5869-2277  
 (Guangzhou branch) phone: +86-20-3882-0552 fax: +86-20-3882-0580

**NIKON SINGAPORE PTE LTD**  
 SINGAPORE phone: +65-6559-3618 fax: +65-6559-3668

**NIKON MALAYSIA SDN. BHD.**  
 MALAYSIA phone: +60-3-7809-3688 fax: +60-3-7809-3633

**NIKON INSTRUMENTS KOREA CO., LTD.**  
 KOREA phone: +82-2-2186-8410 fax: +82-2-555-4415

**NIKON CANADA INC.**  
 CANADA phone: +1-905-602-9676 fax: +1-905-602-9953

**NIKON FRANCE S.A.S.**  
 FRANCE phone: +33-1-4516-45-16 fax: +33-1-4516-45-55

**NIKON GMBH**  
 GERMANY phone: +49-211-941-42-20 fax: +49-211-941-43-22

**NIKON INSTRUMENTS S.p.A.**  
 ITALY phone: +39-055-300-96-01 fax: +39-055-30-09-93

**NIKON AG**  
 SWITZERLAND phone: +41-43-277-28-67 fax: +41-43-277-28-61

**NIKON UK LTD.**  
 UNITED KINGDOM phone: +44-208-247-1717 fax: +44-208-541-4584

**NIKON GMBH AUSTRIA**  
 AUSTRIA phone: +43-1-972-6111-0 fax: +43-1-972-6111-40

**NIKON BELUX**  
 BELGIUM phone: +32-2-705-56-65 fax: +32-2-726-66-45